

KitchenAid® Drawer Dishwasher

PRODUCT MODEL NUMBERS

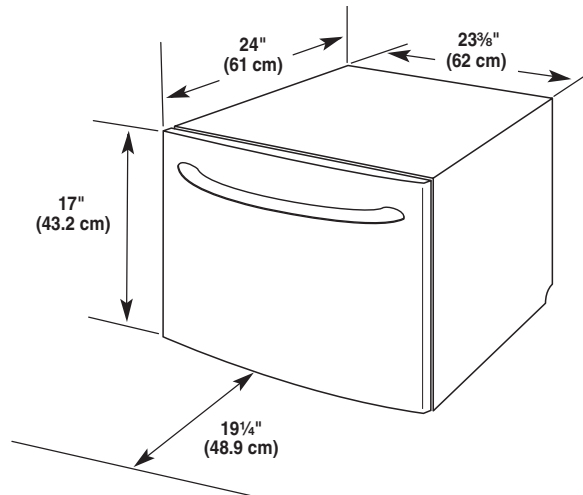
KUDD035T

Electrical: 120 volt, 60 Hz, AC only, 15- or 20-amp. fused electrical supply. Use copper wire only. A time-delay fuse or circuit breaker and separate circuit is recommended.

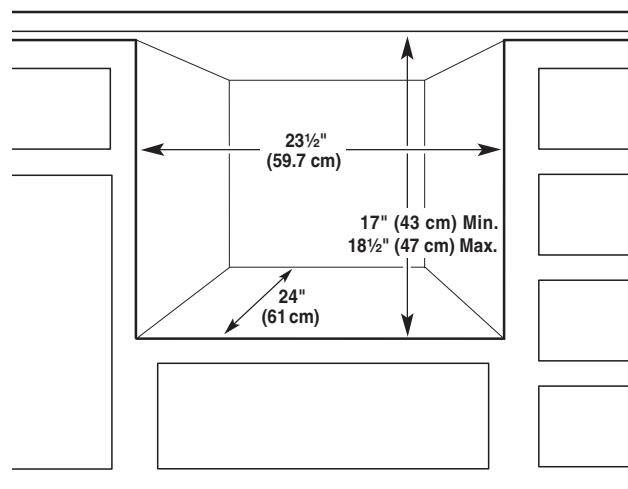
Water: A hot water line with 20-120 psi (138-862 kPa) water pressure. Water temperature must be 120°F (49°C) at dishwasher. Use 3/8" O.D. copper tubing with compression fitting or flexible stainless steel braided fill line (1/2" minimum plastic tubing not recommended).

Drain: Use the new drain hose supplied with your dishwasher. If this is not suitable, use a new drain hose with a maximum length of 12 feet (3.7 m) that meets all current AHAM/IAPMO test standards, is resistant to heat and detergent, and fits the 1" (2.5 cm) drain connector of the dishwasher. Must have a high drain loop 20" (50.8 cm) above the subfloor or floor. Connect drain hose to waste tee or disposer inlet above drain trap in house plumbing and 20" (50.8 cm) minimum above the floor. An air gap must be used if the drain hose is connected to house plumbing lower than 20" (50.8 cm) above subfloor or floor. Use 1/2" (1.3 cm) minimum I.D. drain line fittings.

OVERALL DIMENSIONS



CUTOUT DIMENSIONS



PREFERRED UTILITY AREA

