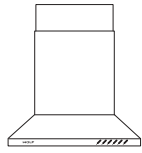
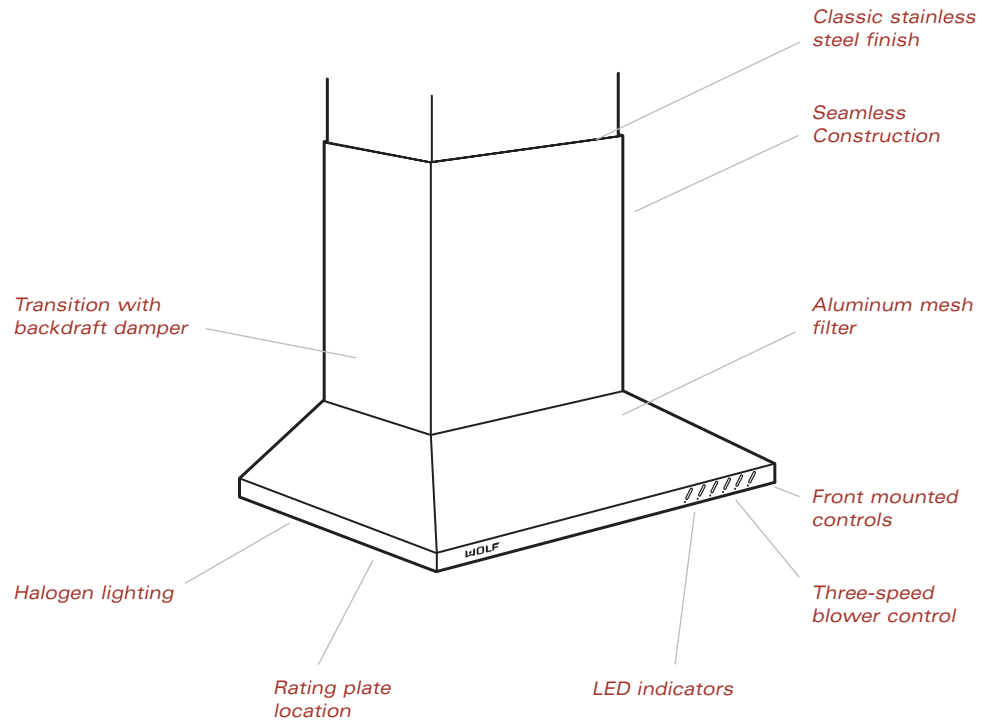


Model CTWH30 Cooktop Wall Hood



Model CTWH30



► Wolf cooktop wall ventilation hoods are available in the classic stainless steel finish. Cooktop wall hoods are sold as a shell only, internal in-line and remote blower options are available.

Powerful multi-speed blowers draw odors and smoke into the five-layer mesh filter. Filters remove easily for cleaning. The sculpted classic stainless steel shape not only provides the power you expect from Wolf, but also the beauty you have come to appreciate as well.

This wall mount cooktop hood is 30" (762) wide by 21" (533) deep. It has a telescopic chimney flue that allows you to reach a ceiling height of 8' (2.4 m) to 9' (2.7 m) with a finished look. A flue extension to accommodate 10' (3 m) ceilings is available as a sales accessory.

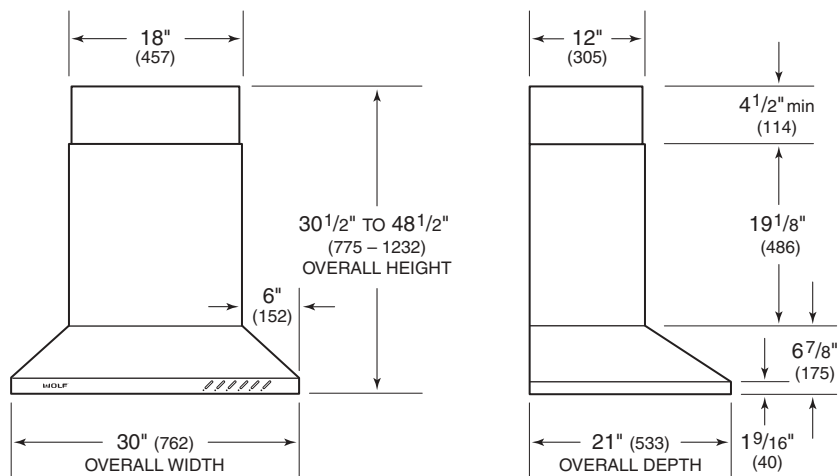
Wolf cooktop wall hoods are recommended for use with Wolf electric and gas cooktops and integrated modules. For Wolf dual fuel ranges, gas ranges, sealed burner rangetops and gas rangetops, a Pro ventilation hood should be used.

Model CTWH30 Cooktop Wall Hood

FEATURES

- ▶ Classic stainless steel finish
- ▶ Internal, in-line and remote blower options
- ▶ Front mounted controls with LED indicator
- ▶ Heavy-duty stainless steel seamless construction
- ▶ Three-speed blower control
- ▶ Variable speed blowers
- ▶ Filter clean timer lets you know when the filter needs cleaning
- ▶ Delay-off mode automatically turns unit off
- ▶ Sealed halogen lighting with three settings
- ▶ Stainless steel filter cover with dishwasher safe aluminum mesh filter
- ▶ Heat sentry feature automatically turns unit on when heat is sensed and automatically adjusts blower speed
- ▶ Transition with backdraft damper included
- ▶ Fits 8' (2.4 m) to 9' (2.7 m) ceilings – flue extension to accommodate 10' (3 m) ceilings is available as a sales accessory
- ▶ UL listed to US and Canadian safety standards
- ▶ Two and five year residential warranty – exclusions apply; warranty information can be found on our website, wolfappliance.com

OVERALL DIMENSIONS ▼



Dimensions may vary by $\pm 1/8$ " (3).

Dimensions in parentheses are in millimeters unless otherwise specified.

Model CTWH30 Cooktop Wall Hood

BLOWER OPTIONS ▼

| | |
|-------------------------|--------|
| 450 CFM Internal Blower | 801643 |
| 600 CFM In-Line Blower | 808331 |
| 1100 CFM In-Line Blower | 808332 |
| 600 CFM Remote Blower | 801640 |
| 900 CFM Remote Blower | 801641 |
| 1200 CFM Remote Blower | 801642 |
| 1500 CFM Remote Blower | 804701 |

Model CTWH30 is sold as a shell only, an internal, in-line or remote blower will be required. Refer to Wolf Cooktop Ventilation Recommendations at the end of this section.

ACCESSORIES

- ▶ 30" (762) wall shield
- ▶ Flue extension to accommodate 10' (3 m) ceilings
- ▶ 8" (203) to 10" (254) round transition

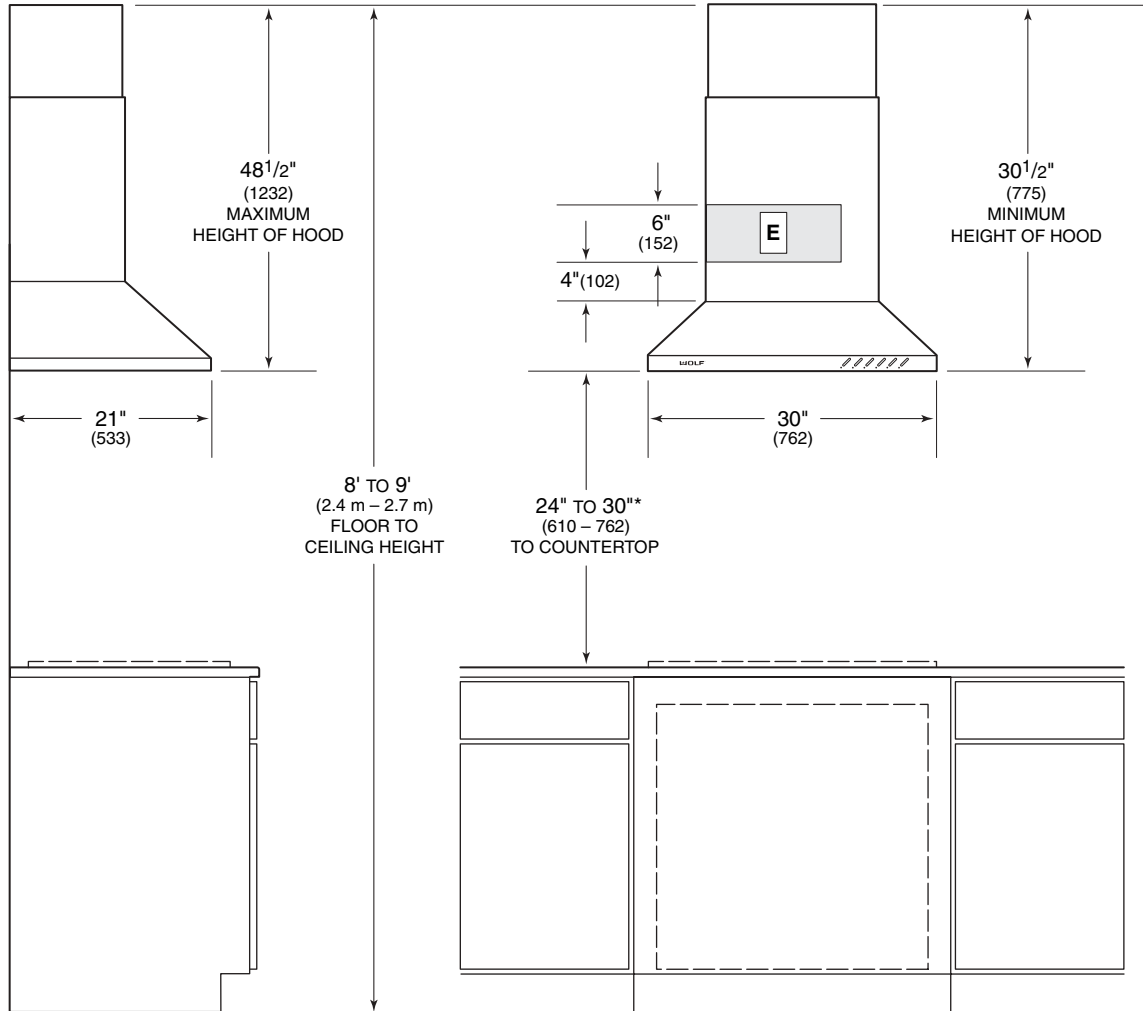
Accessories are available through your Wolf dealer. To obtain local dealer information, visit the Locator section of our website, wolfappliance.com.

SPECIFICATIONS ▼

| | |
|------------------------------------|---|
| Overall Width | 30" (762) |
| Overall Height (excluding chimney) | 6 ⁷ / ₈ " (175) |
| Overall Height (including chimney) | 30 ¹ / ₂ " (775) |
| Maximum Height (full extension) | 48 ¹ / ₂ " (1232) |
| Overall Depth | 21" (533) |
| Transition | 8" (203) to 10" (254) round |
| Duct Size | 8" (203) round |
| Discharge | Vertical |
| Electrical Supply Requirements | 110/120 V AC, 60 Hz 15 amp dedicated circuit |
| Shipping Weight | 85 lbs (39 kg) |

Specifications are subject to change without notice.

Model CTWH30 Cooktop Wall Hood



*8' (2.4 m) ceilings will not allow for a 30" (762) maximum height above the countertop. Based on a 36" (914) high countertop, an 8' (2.4 m) ceiling will allow for a maximum height above the countertop of 29 1/2" (749).

DIMENSIONS

| | |
|--|--------------------------|
| Overall Width of Hood | 30" (762) |
| Floor to Ceiling Height | 8' (2.4 m) to 9' (2.7 m) |
| Countertop to Bottom of Hood | 24" (610) to 30" (762) |
| Minimum Height of Hood (fully collapsed) | 30 1/2" (775) |
| Maximum Height of Hood (full extension) | 48 1/2" (1232) |
| Location of Electrical | Within shaded area |

See Installation Instructions shipped with unit for detailed specifications.

Model CTWH30 Cooktop Wall Hood

INSTALLATION NOTES

- ▶ Refer to the illustrations and specifications for overall dimensions and installation specifics.
- ▶ Wolf cooktop wall hoods are recommended for use with Wolf electric and gas cooktops and integrated modules. The hood should be at least as wide as the cooking surface.

IMPORTANT NOTE: Wolf Pro ventilation hoods should be used with Wolf dual fuel ranges, gas ranges, sealed burner rangetops and gas range-tops.

- ▶ Wolf cooktop wall hoods come with a telescopic chimney flue that allows you to reach a ceiling height of 8' (2.4 m) to 9' (2.7 m) with a finished look. A flue extension to accommodate 10' (3 m) ceilings is available as a sales accessory.
- ▶ Installation of the cooktop wall hood should be 24" (610) to 30" (762) from the bottom of the hood to the countertop. Follow the dimensions shown in the Installation illustration.

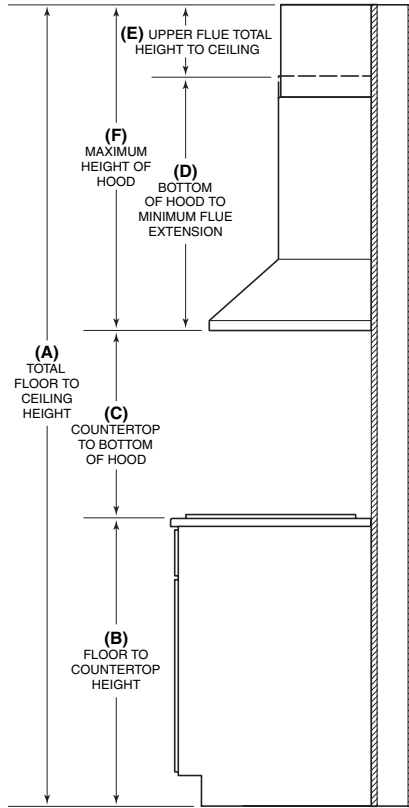
IMPORTANT NOTE: 8' (2.4 m) ceilings will not allow for a 30" (762) maximum height above the countertop. Based on a 36" (914) high countertop, an 8' (2.4 m) ceiling will allow for a maximum height above the countertop of 29¹/₂" (749).

- ▶ Wolf cooktop wall hoods are shipped without a blower assembly. Internal, in-line and remote blower assemblies are available. Blower options also vary with the volume of air that needs to be moved and the length of the duct run. Refer to the charts at the end of this section for ventilation recommendations and blower options.

IMPORTANT NOTE: Install this ventilation hood only with a Wolf blower.

- ▶ Wolf cooktop wall hoods require a separate, grounded 110/120 V AC, 60 Hz power supply. The service should have its own 15 amp circuit breaker. Placement of the outlet is not critical, as long as you provide a minimum of 12" (305) of 120 V AC, 60 Hz power cable. Locate electrical within the shaded area shown in the Installation illustration.
- ▶ You must follow all National Electrical Code regulations. In addition, be aware of local codes and ordinances when installing your service.
- ▶ Wolf cooktop wall hoods have an 8" (203) round vertical discharge.
- ▶ Refer to the installation instructions shipped with each Wolf product for detailed specifications. This information can also be found on our website, wolfappliance.com.

Model CTWH30 Cooktop Wall Hood



COOKTOP HOOD PLACEMENT

Wolf cooktop wall ventilation hoods come with a telescopic chimney flue that allows you to reach a ceiling height of 8' (2.4 m) to 9' (2.7 m) with a finished look. A flue extension to accommodate 10' (3 m) ceilings is available as a sales accessory.

Installation of the wall hood should be 24" (610) to 30" (762) from the bottom of the hood to the countertop.

IMPORTANT NOTE: 8' (2.4 m) ceilings will not allow for a 30" (762) maximum height above the countertop. Based on a 36" (914) high countertop, an 8' (2.4 m) ceiling will allow for a maximum height above the countertop of 29¹/₂" (749).

IMPORTANT NOTE: Both sections of the telescopic chimney flue must be installed in order for the chimney to be lifted for service.

To determine placement of the cooktop wall hood, you must calculate the height of the telescopic chimney flue. Refer to the illustration and chart below.

To calculate the height of the telescopic chimney flue:

- 1) First measure **A** (total kitchen height from finished floor to finished ceiling height).
- 2) Next measure **B** (height from finished floor to countertop).
- 3) Then determine the minimum **C** value (distance from countertop to bottom of hood). Refer to the chart for ceiling heights from 8' (2.4 m) to 9' (2.7 m). Dimension **C** must be greater than 24" (610) and less than 30" (762).
- 4) To determine the upper flue section height: $E = A - (C + B + D)$.

IMPORTANT NOTE: If dimension **E** falls between 0" (0) and 1/2" (13), you will need to modify the flue to affix to the flue attachment brackets. For ease of installation, Wolf recommends that dimension **E** be no less than 1/2" (13).

MODEL CTWH30

| (A) | (B) | (C) | (D) | (E) | (F) |
|-------------|-----------|--|--|--|---|
| 96" (2438) | 36" (914) | 24" (610) min | 30 ¹ / ₂ " (775) | 5 ¹ / ₂ " (140) | 48 ¹ / ₂ " (1232) |
| 96" (2438) | 36" (914) | 29 ¹ / ₂ " (749) max | 30 ¹ / ₂ " (775) | 0" | 48 ¹ / ₂ " (1232) |
| 108" (2743) | 36" (914) | 24" (610) min | 30 ¹ / ₂ " (775) | 17 ¹ / ₂ " (445) | 48 ¹ / ₂ " (1232) |
| 108" (2743) | 36" (914) | 30" (762) max | 30 ¹ / ₂ " (775) | 11 ¹ / ₂ " (292) | 48 ¹ / ₂ " (1232) |

Letters correspond to those in the illustration.

Model CTWH30 Cooktop Wall Hood

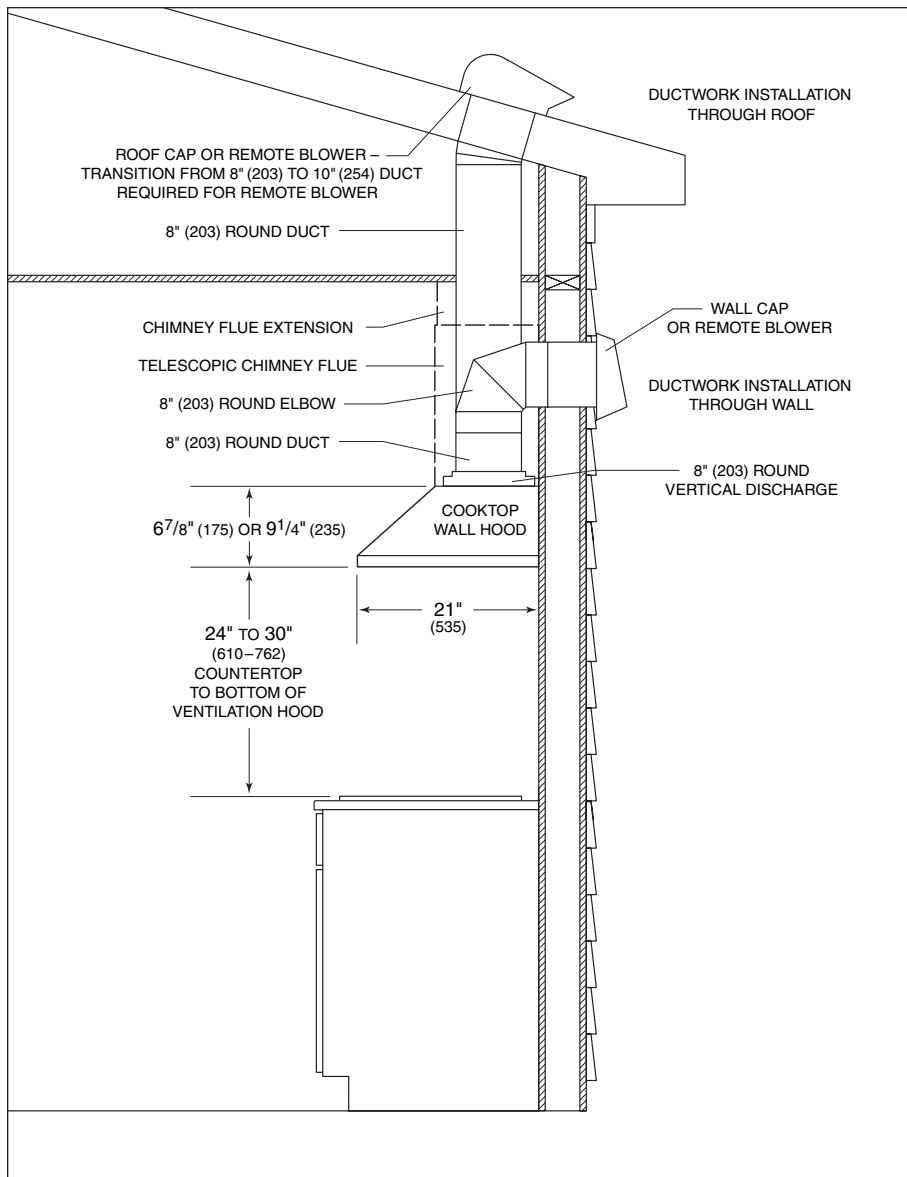
DUCTING CONSIDERATIONS

Wolf cooktop wall hoods are shipped without the blower assembly. Internal, in-line or remote blower assemblies are available. For wall hoods, the remote blower can be mounted on the roof or an exterior wall.

IMPORTANT NOTE: Install these ventilation hoods only with a Wolf blower.

Wolf cooktop wall hoods have an 8" (203) round vertical discharge. Ducting for wall hoods can run through the roof or an external wall as shown in the illustration below.

Refer to the Cooktop ventilation charts at the end of this section for recommendations and blower options.



Ducting considerations for cooktop wall hoods.

Wolf Ventilation Recommendations

WOLF BLOWER ASSEMBLIES

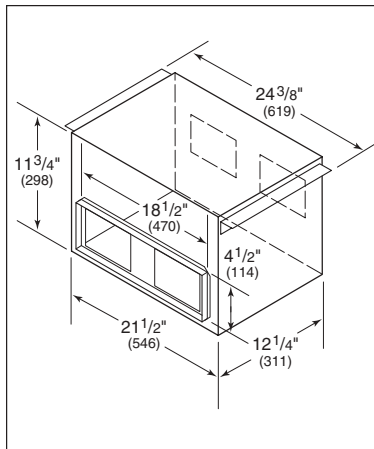
A ventilation system must include a blower assembly. With a few exceptions where internal blowers are included, Wolf ventilation hoods and downdrafts are shipped without the blower assembly. An internal, in-line or remote blower assembly must be selected to accommodate the cooking appliance, CFM requirements and homeowner preferences. Internal, in-line and remote blower assemblies are available as sales accessories through your Wolf dealer.

Wolf internal, in-line and remote blowers are for use with Wolf cooktop hoods, downdraft systems and Pro ventilation hoods and hood liners.

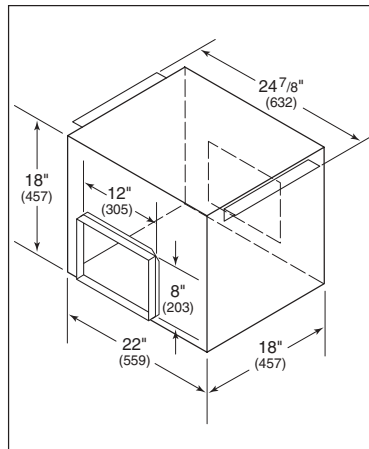
IMPORTANT NOTE: Use only a Wolf blower with all Wolf ventilation products.

Internal blowers are mounted inside the hood canopy or downdraft blower box. In-line blowers are mounted in between the hood and the exterior of the home. Remote blowers can be mounted on the roof or in some cases, on an exterior wall. Refer to the illustrations below for dimensions of Wolf in-line and remote blowers.

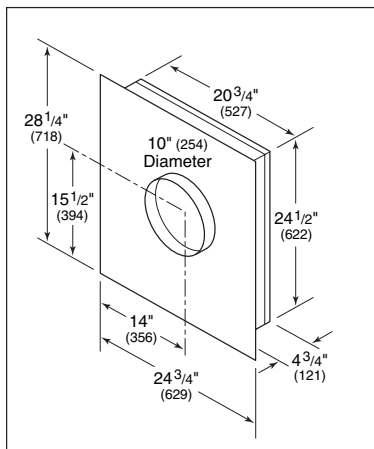
Ventilation recommendation charts on the following pages provide minimum CFM recommendations according to the cooking appliance and ventilation system used and blower options for each specific ventilation hood or downdraft.



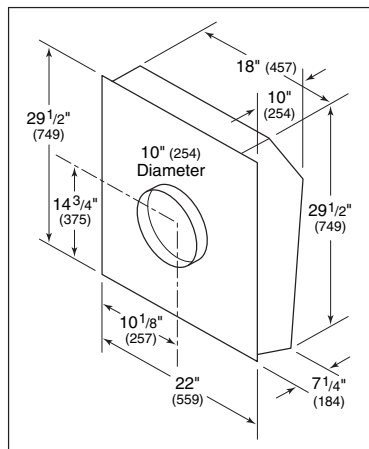
► In-line BLOWER-60IL



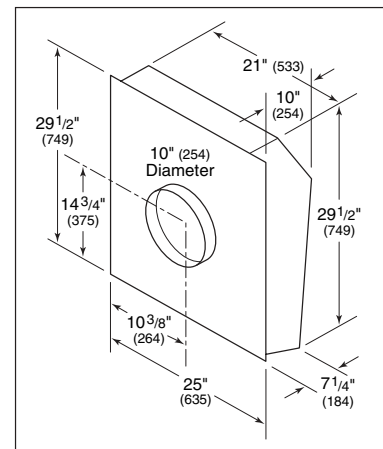
► In-line BLOWER-110IL



► Remote BLOWER-60REM and BLOWER-90REM



► Remote BLOWER-120REM



► Remote BLOWER-150REM

Dimensions may vary by $\pm 1/8$ " (3).

Dimensions in parentheses are in millimeters unless otherwise specified.

Wolf Cooktop Ventilation Recommendations

COOKTOP VENTILATION CFM RECOMMENDATIONS

Cooktop Hoods, Downdrafts and Pro Hoods

| | CTWH30 | CTWH36 | IH4227 | DD30 | DD36 | DD45 | Pro Hoods |
|--------------------------|--------|--------|--------|------|------|------|-----------|
| Electric Cooktops | | | | | | | |
| Model CT15E | 215* | 215* | 215* | 215* | | 150* | 215* |
| Model CT30E | 450 | 600 | 600 | 500 | | 350 | 600 |
| Model CT30EU | 450 | 600 | 600 | | | | 600 |
| Model CT36E | | 600 | 600 | | 500 | | 600 |
| Model CT36EU | | 600 | 600 | | | | 600 |

| | CTWH30 | CTWH36 | IH4227 | DD30 | DD36 | DD45 | Pro Hoods |
|---------------------|--------|--------|--------|------|------|------|-----------|
| Gas Cooktops | | | | | | | |
| Model CT15G | 215* | 215* | 215* | 215* | | 150* | 215* |
| Model CT30G | 450 | 600 | 600 | 500 | | 350 | 600 |
| Model CT36G | | 600 | 600 | | 500 | | 600 |

| | CTWH30 | CTWH36 | IH4227 | DD30 | DD36 | DD45 | Pro Hoods |
|----------------|--------|--------|--------|------|------|------|-----------|
| Modules | | | | | | | |
| Model CT15I | 215* | 215* | 215* | 215* | | 150* | 215* |
| Model IG15 | 215* | 215* | 215* | | | | 215* |
| Model IS15 | 215* | 215* | 215* | | | | 215* |
| Model IF15 | 215* | 215* | 215* | | | | 215* |
| Model IM15 | 215* | 215* | 215* | 215* | | 150* | 215* |

*Use these requirements to determine total CFM when installing multiple cooktops or modules.

CFM recommendations are based on total Btu/hr output. Wolf recommends 1 CFM per 100 Btu/hr (.03 kW). Additional CFM may be required for long duct runs.

COOKTOP VENTILATION BLOWER OPTIONS

Cooktop Ventilation Hoods

| Blower Description | Blower Number | Cooktop Hood Models |
|--------------------|-------------------------|--------------------------|
| 450 CFM Internal | CTBLOWER-45INT (801643) | CTWH30 |
| 600 CFM Internal | CTBLOWER-60INT (801644) | CTWH36 / IH4227 |
| 900 CFM Internal | CTBLOWER-90INT (801645) | CTWH36 / IH4227 |
| 600 CFM In-Line | BLOWER-60IL (808331) | CTWH30 / CTWH36 / IH4227 |
| 1100 CFM In-Line | BLOWER-110IL (808332) | CTWH30 / CTWH36 / IH4227 |
| 600 CFM Remote | BLOWER-60REM (801640) | CTWH30 / CTWH36 / IH4227 |
| 900 CFM Remote | BLOWER-90REM (801641) | CTWH30 / CTWH36 / IH4227 |
| 1200 CFM Remote | BLOWER-120REM (801642) | CTWH30 / CTWH36 / IH4227 |
| 1500 CFM Remote | BLOWER-150REM (804701) | CTWH30 / CTWH36 / IH4227 |

Vertical discharge with 8" (203) round duct for wall and island hoods. Transition is not required for internal blowers; in-line and remote blowers require TRANS-8-10. Backdraft damper included with wall and island hoods.

Blower configurations are for reference only. Refer to minimum CFM recommendations for your specific cooking product. Always consult a qualified HVAC Engineer for specific applications.

Dimensions in parentheses are in millimeters unless otherwise specified.